

**Modular Cooking Range Line
 thermaline 85 - 800 mm Holding
 Cabinet with 2 drawers, GN conform, 1
 Side**

ITEM # _____

MODEL # _____

NAME # _____

SIS # _____

AIA # _____



588649 Holding Cabinet with 2 drawers, one-side
 (MB0ACAHOBO) operated, GN

Short Form Specification

Item No. _____

800 mm wide holding cabinet with 2 drawers, for holding and cooking food. Internal frame for heavy duty sturdiness in stainless steel. Flat surface construction, easily cleanable. Temperature in the cabinet can be set through thermostat, up to a maximum of 120°C. Cabinet storage space accepts GN 1/1 containers, 150mm deep. IPX5 water resistant certification.
 Configuration: One-side operated freestanding base.

Main Features

- All major components may be easily accessed from the front.
- THERMODUL connection system creates a seamless work top when units are connected to each other thus avoiding soil penetrating vital components and facilitating the removal of units in case of replacement or service.
- Unit constructed according to DIN 18860_2 with 70 mm recessed plinth.
- Temperature in the cupboard can be set through a thermostat to suit different requirements. The maximum temperature is 120°C.
- Equipped with a core temperature probe, suitable also for low temperature cooking.
- Unit can be installed below modular top appliances, designed to keep the food warm, with the capability to cook as well.

Construction

- IPX5 water resistance certification.
- 2 mm top in 1.4301 (AISI 304).
- Flat surface construction with minimal hidden areas to easily clean all surfaces
- Storage space in the base of the appliance accepts GN1/1 containers.
- Internal frame for heavy duty sturdiness in stainless steel.

Optional Accessories

- Stainless steel front kicking strip, 800mm width PNC 912634
- Stainless steel side kicking strip left and right, wall mounted, 850mm width PNC 912659
- Stainless steel side kicking strip left and right, back-to-back, 1700mm width PNC 912662
- Stainless steel side panel, 850x700mm, right side, against wall PNC 913003
- Stainless steel side panel, 850x700mm, left side, against wall PNC 913004
- Side reinforced panel only in combination with side shelf, for against the wall installations, right PNC 913261
- Side reinforced panel only in combination with side shelf, for against the wall installations, left PNC 913262
- Stainless steel dividing panel, 850x700mm, (it should only be used between Electrolux Professional thermaline Modular 85 and thermaline C85) PNC 913670

APPROVAL: _____

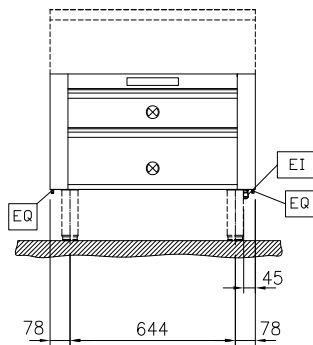


Electrolux
PROFESSIONAL

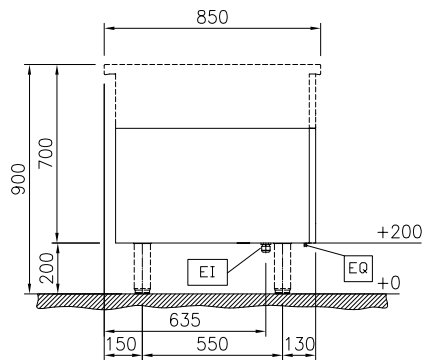
**Modular Cooking Range Line
thermaline 85 - 800 mm Holding Cabinet
with 2 drawers, GN conform, 1 Side**

- Stainless steel side panel, 850x700mm, PNC 913686
flush-fitting (it should only be used
against the wall, against a niche and in
between Electrolux Professional
thermaline and ProThermetic
appliances and external appliances -
provided that these have at least the
same dimensions)

Front

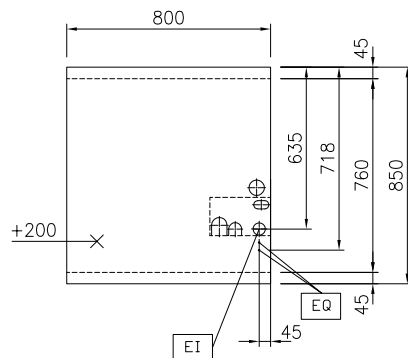


Side



EI = Electrical inlet (power)

Top


Electric

Supply voltage: 230 V/1N ph/50 Hz

Key Information:

 External dimensions, Width: 800 mm
 External dimensions, Depth: 850 mm
 External dimensions, Height: 450 mm
 Cupboard Cavity Dimensions (width): 650 mm
 Cupboard Cavity Dimensions (height): 325 mm
 Cupboard Cavity Dimensions (depth): 530 mm
 Cabinet temperature range: 30-120 °C
 Net weight: 44 kg

Sustainability

Current consumption: 4.35 Amps